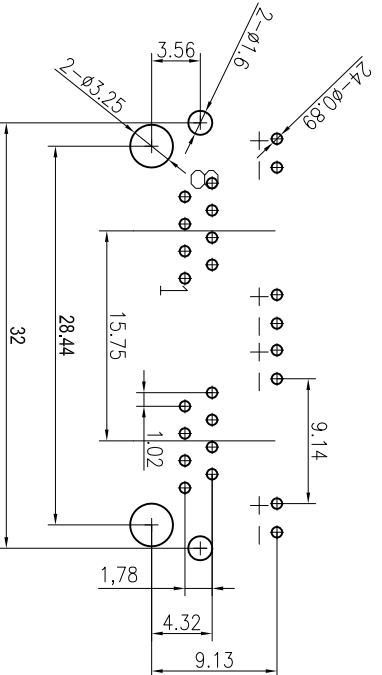
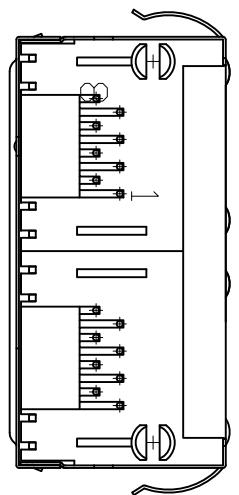
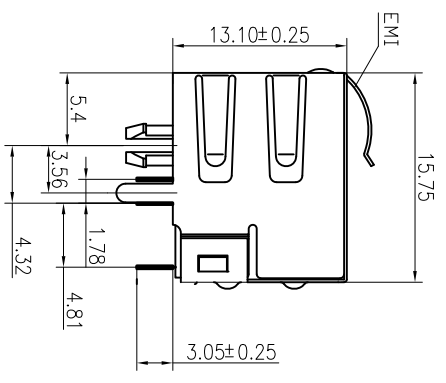
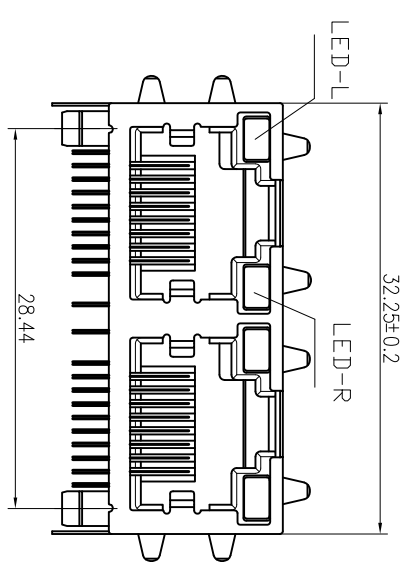


REV	ECN NO.	DATE



PC Board Layout

NOTES

- MATERIAL
1. HOUSING MATERIAL
 2. CONTACT MATERIAL
 3. PLATING
 4. SHIELD
- ELECTRICAL
1. VOLTAGE RATING : 125 VAC RMS.
 2. CURRENT RATING : 1.5 AMP.
 3. CONTACT RESISTANCE : 30 MILLIOHMS MAX.
 4. INSULATION RESISTANCE : 500 MEGOHMS MIN @ 500V DC .
 5. DIELECTRIC DIELECTRIC RESISTANCE : 1000V AC RMS 50Hz. 1MIN.
- ENVIRONMENTAL:
1. STORAGE : -40°C~+85°C.
 2. OPERATION : 0° C TO 70° C.
- MECHANICAL
1. DURABILITY : 750 CYCLES MIN.
 2. PCB RETENTION/PRE-SOLDER : 1 LB MIN.

- ENVIRONMENTAL:
1. STORAGE
 2. OPERATION

TOLERANCES		DATE		TITEL	
mm	公差	日期	2015-03-11	品名	东莞市厚耀电子科技有限公司
.0± 0.30	±	材料		RJ45 JACK	左黄右绿
.00± 0.25	±	电镀		料号	HY-5JA8812T2L1
.000± 0.10	±	SCALE	1:1	UNIT	mm
ANGLES	± 1°	比例	1:1	单位	mm
THIRD ANGLE PROJECTION		设计	张旺新	审核	

RoHS Compliant

